

Product data sheet

Characteristics

QO2200

Mini circuit breaker, QO, 200A, 2 pole, 120/240 VAC, 10 kA, plug in mount



Product availability: Stock - Normally stocked in distribution facility

Price*: 491.00 USD



Main

Product or component type	Miniature circuit-breaker
Range of product	QO
Line Rated Current	200 A
[Ue] rated operational voltage	120/240 V AC 120 V AC
Mounting mode	Plug-in
Poles description	2P
Circuit breaker type	Standard
Circuit breaker application	HACR rated
Electrical connection	Box lugs

Complementary

Breaking capacity	10 KA 120/240 V AC 50/60 Hz 10 KA 120 V AC 50/60 Hz
Number of spaces required	4
AWG gauge	AWG 1...300 kcmil copper or aluminium
Tightening torque	40.71 Lbf.In (4.6 N.m)
Height	3.5 In (88.90 mm)
Width	1.5 In (38.10 mm)
Depth	2.91 In (73.91 mm)

Environment

Product certifications	UL Listed CSA
Ambient air temperature for operation	104 °F (40 °C)

Ordering and shipping details

Category	00082 - QO BREAKERS 150-200A
Discount Schedule	DE2A
GTIN	00785901755784
Nbr. of units in pkg.	1
Package weight(Lbs)	2.55 Lb(US) (1.157 kg)
Returnability	Yes
Country of origin	MX

Packing Units

Unit Type of Package 1	PCE
Package 1 Height	4.80 In (12.192 cm)
Package 1 width	6.90 In (17.526 cm)
Package 1 Length	7.90 In (20.066 cm)

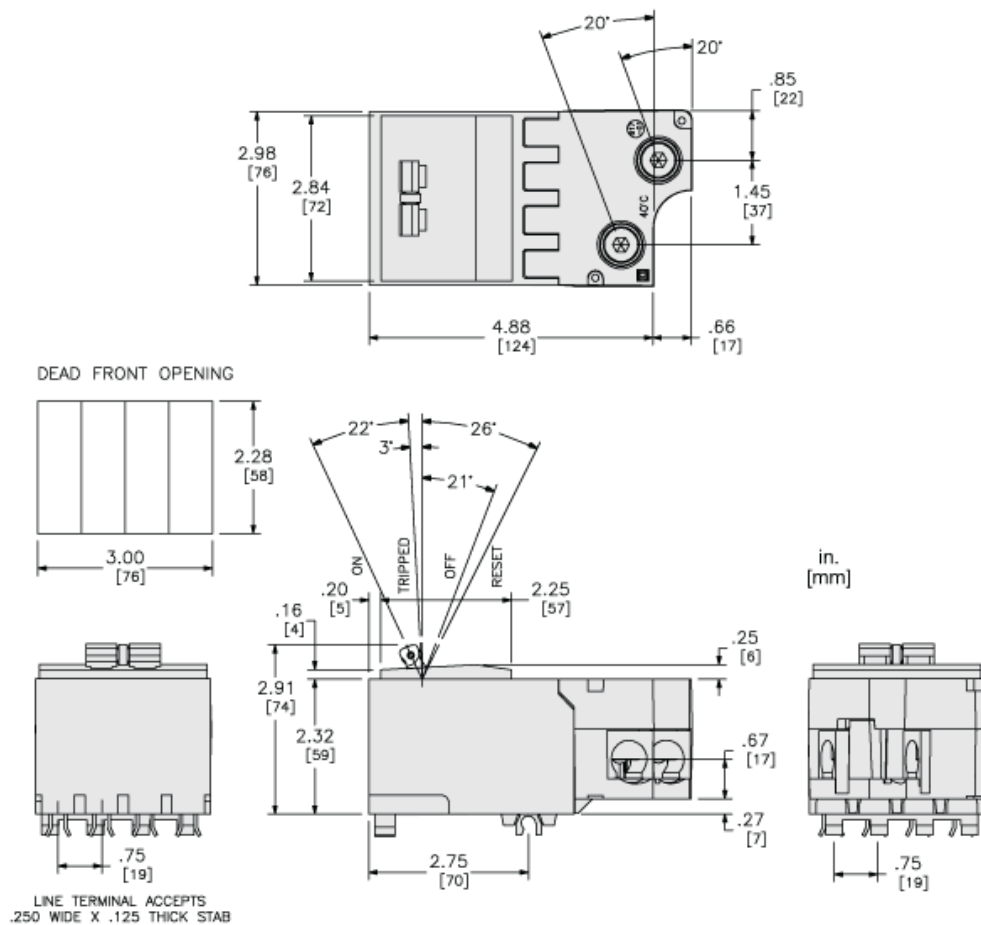
Offer Sustainability

Sustainable offer status	Green Premium product
REACH Regulation	REACH Declaration
REACH free of SVHC	Yes
EU RoHS Directive	Compliant EU RoHS Declaration
Mercury free	Yes
RoHS exemption information	Yes
China RoHS Regulation	China RoHS Declaration
Environmental Disclosure	Product Environmental Profile
Halogen content performance	Halogen free product

Contractual warranty

Warranty	18 months
----------	-----------

Approximate Dimensions



Product Life Status : **Commercialised**